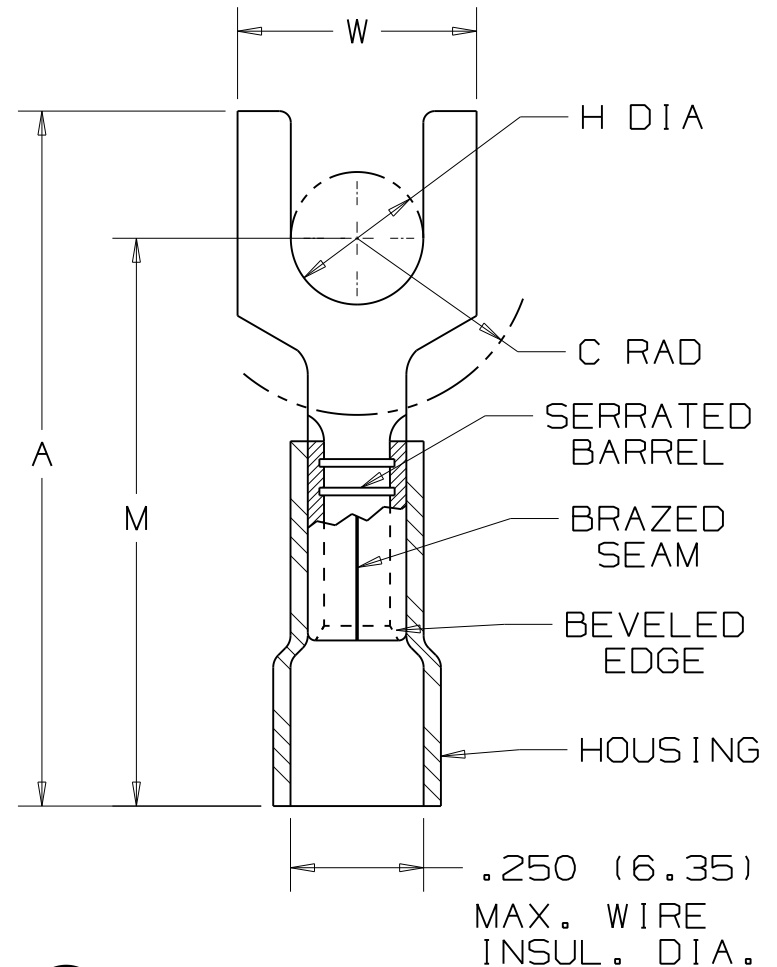


THIS COPY IS PROVIDED ON A RESTRICTED BASIS AND IS NOT TO BE USED IN ANY WAY DETRIMENTAL TO THE INTERESTS OF PANDUIT CORP.

PANDUIT PART NUMBER	STUD SIZE	DIMENSIONS in.				
		A $\pm .03$	W $\pm .01$	C MIN	M $\pm .03$	H $\pm .01$
PV10-8FX	#8	1.11 (28.19)	.37 (9.40)	.24 (6.10)	.88 (22.35)	.17 (4.32)
PV10-10FX	#10	1.11 (28.19)	.37 (9.40)	.24 (6.10)	.88 (22.35)	.20 (5.08)
PV10-14FX	1/4"	1.22 (30.99)	.50 (12.7)	.32 (8.13)	.97 (24.64)	.27 (6.86)

NOTES:

- UL LISTED AND CSA CERTIFIED FOR:
  - 600V. MAX. BLDG WIRE (1000 V. MAX IN SIGNS, FIXTURES & LUMINAIRES), AND 14-10 AWG SOLID OR STRANDED COPPER WIRE, & 221°F (105°C MAX) TEMP RATING WITH THE CT-550 INSTALLATION TOOLS #12 STR OR SOL & #10 STR W/ CT-1551, CT-1550 INSTALLATION TOOLS.
  - 300 V. MAX BLDG WIRE, 12-10 AWG SOLID OR STRANDED COPPER WIRE, & 167°F (75°C ) MAX TEMP RATING WITH THE CT-100 INSTALLATION TOOLS.
- MATERIAL:
  - STAMPING - .04" (1.02) THK COPPER, TIN PLATED
  - HOUSING - VINYL, YELLOW
- STRIP LENGTH - 5/16 <sup>+1/32</sup> <sub>0</sub>
- SEE [www.panduit.com](http://www.panduit.com) FOR PART NUMBER SUFFIX DESIGNATION FOR PACKAGE SIZE.
- DIMENSIONS IN BRACKETS ARE IN MILLIMETERS



**UL**  
LISTED  
587H  
E52164

**CSA**  
CERTIFIED  
LR31212

REV	DATE	BY	CHK	DESCRIPTION	ECN	CUST	PM
07	5/11	SB		Added Note #4			

**PANDUIT**

CORP.

TINLEY PARK, ILLINOIS

#12-10 BARREL VINYL INSULATED FORK,  
.250 (6.35) MAX WIRE INSUL. DIA.

DRAWN BY DAW	CHK'D	SCALE NONE	DRAWING NO. A41259
-----------------	-------	---------------	-----------------------